



XMR403S

轻型压实设备

LIGHT COMPACTION EQUIPMENT

XMR403S double drum vibratory roller is light-duty vibratory rollers of working weight of 4.1 tons, which are applicable for surface layer and edge compaction of asphalt, cement construction, also suitable for base layer and sub base layer and compaction of sand soil and gravel, is the most idealistic compaction machinery for road repair and maintenance construction of various road such as parking lot, sidewalk, etc. the features are small amplitude, high frequency, sprinkling device. This vibratory roller can also stop the vibration, instead the static roller to compact the road surface and pre-compact the filler coarse, compared with single roller, this type of roller has two times more compaction ability.

XMR403S双钢轮振动压路机是工作质量4.1吨的轻型振动压路机。该机适用于沥青工程、水泥工程等表层压实和路缘的压实作业，也适合于底基层和基层，砂土和砾石材料的压实作业，是各种停车场施工，车行道、人行道和自行车道压实以及各种道路维修保养工程中最理想的压实机械。其特点是小振幅、高频率，自身携带洒水装置。该振动压路机还可以断开振动，替代静碾压路机进行路面平整压实和填土层预压实，这种型式的振动压路机较单轮振动压路机，具有双倍的压实能力。

Performance Characteristics / 性能特点

- Adopt closed-type hydraulic drive system, can realize stepless speed regulation; the drive can select the travel speed according to different working conditions, the travel speed is in direct ratio with the control handle position to the neutral position.
- Brake system uses the neutral position braking, emergency braking and parking braking, to make sure the reliability of service braking.
- Brake distance is short, the brake torque is big, to ensure the safety of product travel.
- The front view of the machine is less than 1×0.75m, and the rear view has no obstacles, providing good vision for the drivers.
- At the rear part of the machine is Anti roll over protection frame, to avoid the rolling over of roller, providing the safety protection in case of extreme condition; at the same time is configured with rotary warning light and reverse buzzer, ensure the safety during construction.
- This machine is equipped with front and rear working light to make it convenient to operate in night.
- The vibration drum width is bigger than frame width, easy to observe the compaction condition of drum side during the construction.
- The ground clearance of machine is big, strong product approval.
- The side clearance is small, the edge clearance is big, the compaction performance is good.
- 采用闭式液压驱动系统，可实现无级变速；驾驶人员可根据不同的工况，自由选择所需的行驶速度，行驶速度的快慢与操纵手柄离开中位时位移尺寸的大小成正比。
- 制动系统采用中位制动、紧急制动和停车制动三级制动，确保行车制动的可靠性。
- 制动距离短，制动力矩大，保证产品行驶的安全性。
- 整机前视野小于1×0.75m，而后视野无任何遮挡，给驾驶人员提供了良好的视线范围。
- 在整机后部配有翻滚保护架，避免了翻车时压路机的翻滚，提供了极端状况下的安全保护；同时配有旋转报警灯和倒车蜂鸣器，保证了施工中的安全。
- 整机配有前后工作灯，为夜间施工提供方便。
- 振动轮宽度大于车架宽度，方便施工中观察轮边压实情况。
- 该机离地间隙大，产品通过性强。
- 贴边距离小，路缘间隙大，贴边压实性能好。

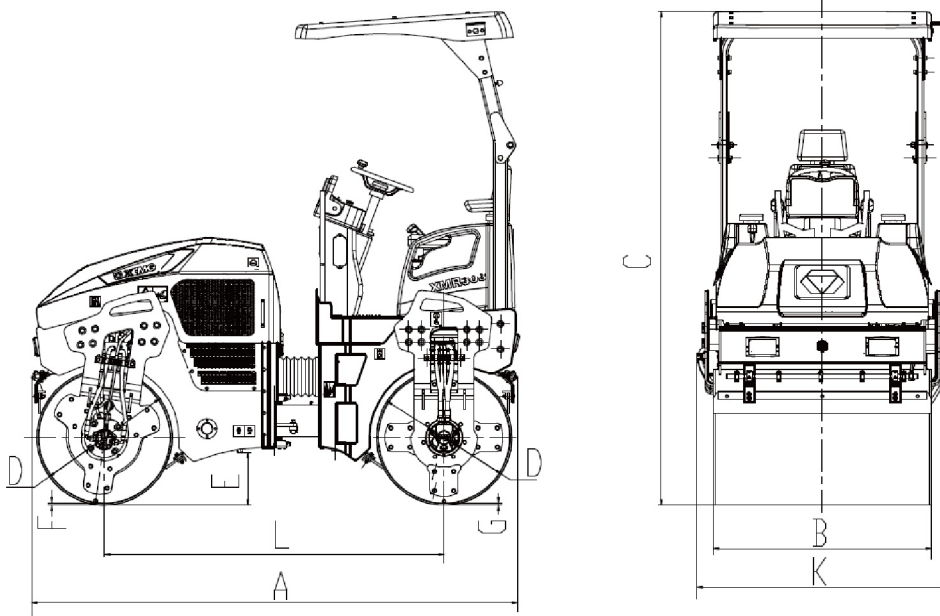
XMR403S

轻型压路机

LIGHT COMPACTION EQUIPMENT

Main Dimensions

主要尺寸



单位 Unit: mm

尺寸Size	A	B	C	D	E	F	G	K	L
XMR403S	2720	1300	2819	800	348	16	16	1428	1920

Main Specifications

主要技术参数

Item	项目	单位 Unit	XMR403S
Operating mass	工作质量	kg	4100
Static linear load (front drum)	前轮静线载荷	N/cm	157/157
Vibration frequency	振动频率	Hz	60
Amplitude	振幅	mm	0.41
Exciting force	激振力	kN	42
Vibrating drum (Diameter x width)	振动轮 (直径 × 宽)	mm	800 × 1300
Theoretical gradeability	理论爬坡能力	%	30%
Working speed	工作速度	km/h	0 ~ 10.6
Maximum operating mass	轴距	mm	1920
Steering angle	转向角	°	± 30°
Swing angle	摇摆角	°	± 10°
Minimum turning radius (intern)/(extern)	最小转弯半径(内)/(外)	mm	3062/4362
Minimum ground clearance	最小离地间隙	mm	348
Engine type	发动机型号		404D-22T
Rated power	额定功率	kW	40
Rated speed	额定转速	r/min	2600



Machmall.com is an electromechanical product platform officially launched by XCMG, aiming to provide global customers with a complete set of high-quality construction machinery solutions and supporting equipment.


Xuzhou Construction Machinery Group Co., Ltd. (XCMG Group), founded in 1943, is the fourth largest worldwide construction machinery manufacturer and the largest in China with products covering 183 countries and regions.

XCMG have 12 complete solutions:Crane lifting,Mining Construction,Earth-moving Solutions,Road Machinery,Concrete Equipment,Tunnel and Underground Space Construction,Mobile Elevating Work Platform (MEWP),Piling and Non-excavation Equipment,Transportation Equipment, Environmental Sanitation Equipment,Firefighting,Safety and Emergency Rescue



 <https://www.machmall.com/>

 machmall@xcmg.com

 0086 18652183963
86-516 8773 9797